

FIKEGUARD™

VOICE EVACUATION SYSTEM

WHICH **GUARD**
IS COVERING ALL
YOUR VOICE EVACUATION
NEEDS?

FIKE
GUARD 



WHY USE FIKE GUARD SYSTEMS?



FIKEGUARD SYSTEMS

- Easy to apply and install
- TRUE 25, 50 or 100 Watt Audio
- No Additional Parts Required
- Simple retrofit to existing Fire Alarm Systems
- Compatible with new Fire Alarm Systems

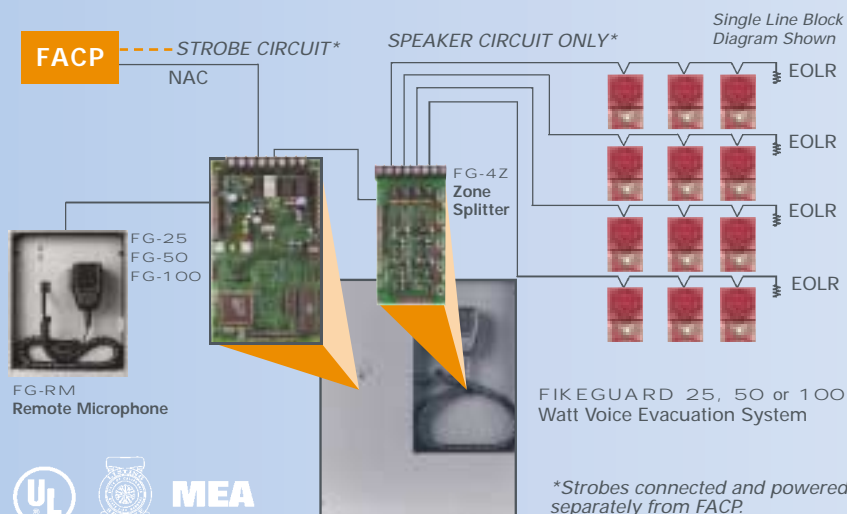


FIKEGUARD voice evacuation panels combine the latest in technology with rugged and compact design. The system includes self contained amplifier, microphone, digital message repeater, power supply and battery charger. It utilizes microprocessor circuitry for all control and supervisory functions. The system provides for its own continuous internal supervision as well as supervising its speaker lines.

The FIKEGUARD 25, FIKEGUARD 50, FIKEGUARD 100 and FIKEGUARD 200 can operate as stand alone communication systems or as Life Safety Voice Evacuation Alarms when coupled with virtually any Fire Alarm Control Panel. Simple installation makes this an ideal solution for your Life Safety Voice needs.

The FIKEGUARD FGX High Rise Distributed Audio system is the ultimate in system design flexibility. The FIKEGUARD FGX may be configured to accommodate a simple multi-floor building through a complex campus networked system.

FIKEGUARD VOICE EVACUATION SYSTEM WITH ZONE SPLITTER



MEI

WHY USE VOICE EVACUATION?

A voice system is more effective in evacuating occupants and will get people out of a structure faster in a real fire emergency. Add to this the capability of additional emergency specific communication such as Tornado, Severe Weather, Earthquake or Hazmat incidences and a Voice Evacuation system becomes invaluable to the basic operation of a facility and the safety of its occupants.

NFPA 101[®], the Life Safety Code[®] mandates voice systems for areas of assembly with 300 or more occupancy. It is also required in high rise structures greater than 75', typically 7 stories or more.



MAKES IT SIMPLE.



STANDARD MESSAGES

WHERE CAN YOU USE FIKEGUARD?

FIKEGUARD 25, 50 & 100

Area of assembly applications where occupancy exceeds 300 persons and up to approximately 100,000 sq. ft. of protected area.*

- Multi-screen Theaters
- Restaurants
- Night Clubs
- Churches
- Synagogues
- School Gymnasiums
- School Cafeterias
- School Auditoriums
- Museums
- Retail Stores
- Shopping Malls
- Office Buildings
- Apartments
- Condominiums

FIKEGUARD 200

For larger applications where more power is required to accommodate higher ambient sound levels or increased square footage.*

FIKEGUARD FGX High Rise System

Designed to meet the needs of high rise structures: multi channel audio, integrated fire phone, area of rescue and building control system.*

- Industrial Facilities
- Office Buildings
- Apartments
- Condominiums
- Hospitals
- School Campus
- Museums
- Retail Stores
- Shopping Malls

*Note: all ranges are approximate. Wattage necessary for specific applications is dependent on many factors. Consult the factory for product requirements and assistance.

FIKEGUARD 25, 50 & 100

A Self Contained Amplifier/Digital Message Repeater For Life Safety Applications.

Connect the FIKEGUARD 25, FIKEGUARD 50 or FIKEGUARD 100 to virtually any Fire Alarm Control Panel for conversion to a Voice Evacuation System. They are ideal for retrofit or new construction.

BUILT-IN:

- Power Supply
- Battery Charger
- Amplifier
- Digital Message Repeater
- Paging Microphone
- 25/70 V Operation Field Selectable
- Zoning Options Available
- Cabinet: Semi Flush or Surface Mount, 14.5" x 18" x 4"
- Dead Front Construction

FIKEGUARD 200

Same features as our base systems, but more power.

- Up to 16 zones in our base cabinet.
- Custom configurations up to 2,000 Watts. Multiple modules in additional cabinets may be combined to expand the system capacity. Custom zoning also available.
- Cabinet: Semi Flush or Surface Mount, 14.5" x 27" x 4"
- Dead Front Construction

FIKEGUARD FGX High Rise System

Voice evacuation for a 30 story building in a 14.5" x 27" x 4" cabinet.

From a single story to a thousand - no practical limit.

- True Multiplex 6 Channel Distributed Audio
- Automatic Messaging
- Zone Paging Control
- Integrated Fire Phone
- Fan & Damper Control
- Area of Rescue

NATURAL SOUND VOICE RECORDINGS:

We have an extensive library of over 50 messages in various languages to fit a multitude of applications. All messages are stored digitally for quick, simple changes. Custom messages/sounds may be created from script, tape or from *.WAV files on PC format disks. If you require a specific message not already in our library, and it is required by your fire marshal or local code, we will supply it at no additional cost.

- Up to 4 Minute Message Capacity, and up to 64 Additional Messages
- Tone with Message or Message Only Applications
- Message Repeats Field Selectable: No Message / 1 Repeat / 2 / 3 / Continuous

STANDARD FIKEGUARD MESSAGE - 15 SECONDS:

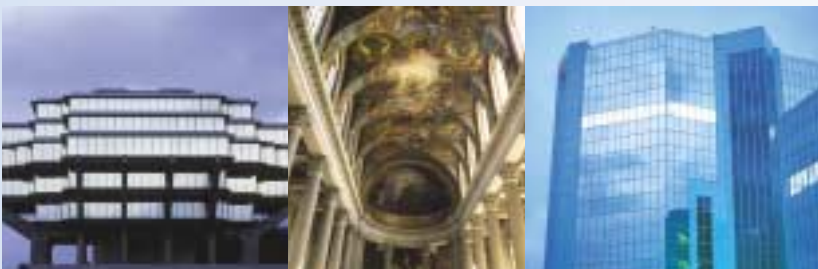
"Attention please, there has been a report of an emergency. Proceed calmly to the nearest exit and leave the building immediately. Do not use the elevators, use stairwells where necessary. All handicapped occupants shall use the building evacuation plan."

Tornado Warning:

Tone followed by, "Tornado warning. Report to designated shelters."

Hazmat:

"Attention please, a chemical spill has occurred in the plant. Please report to the East assembly area."





VOICE EVACUATION SYSTEM ACCESSORIES

WHICH **GUARD** IS COVERING ALL YOUR VOICE EVACUATION NEEDS?

FG-RM Supervised Remote Microphone



FIKEGUARD 25
FIKEGUARD 50
FIKEGUARD 100
FIKEGUARD 200

Supervised Line



- Up to 5,000 ft. from FIKEGUARD Panel
- Up to 5 remote microphones per supervised line
- Dead Front Construction
- Cabinet: Semi Flush or Surface Mount, 8" x 10" x 2.75"

FG-4Z / FG-2ZA Zone Splitter

- 4 Speaker Circuits Class B (FG-4Z)
- 2 Class A Speaker Circuits (FG-2ZA)
- Built-In Zone Switches & All Call
- Automatic General Alarm Zones Selectable when Alarm Silenced Field Selectable Alarm Zoning
- LEDs Indicate Zones Selected & Trouble by Zone
- Mount up to 8 Zones within the FIKEGUARD 25/50/100 Cabinet & 16 Zones within the FIKEGUARD 200 Cabinet.
- Custom configurations available, please consult factory.



Contact Fike for more information about our other product offerings:

Commercial Protection Systems

- Special Hazard Fire Protection Systems: PROINERT™, ECARO-25™ and HFC-227ea
- Detection and Control Systems: FIKEGUARD, Cheetah®, Shark®, Rhino and SHP

Oil Field Products

Industrial Protection Systems

- Fire Protection Systems: MicroMist®, CO₂
- Explosion Protection Systems: Venting, Suppression, Isolation and Testing

Pressure Relief Products

Fike
CORPORATION
www.fike.com

Fike global manufacturing, sales and service

USA
Fike Corporation World Headquarters
Blue Springs, Missouri, USA
Tel: +1-816-229-3405
Fax: +1-816-229-0314
Email: fpssales@fike.com



FIKEGUARD, PROINERT, ECARO-25, Cheetah, Shark, Rhino, SHP, Micromist, Fike and Fike Corporation are trademarks or registered trademarks of Fike Corporation.
©Copyright 2003, Fike Corporation. All rights reserved. Form No. B9096. Printed in the U.S.A.